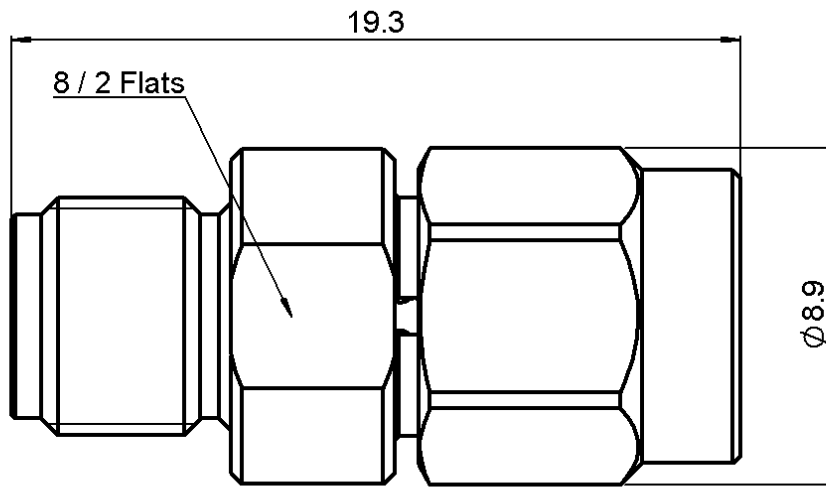
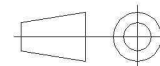
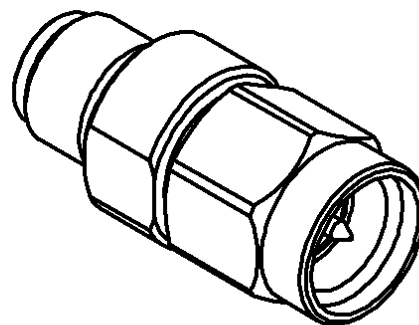


SMA ATTENUATOR
1 DB 8 GHZ 2W

R411.801.119
Series : **ATTENUATOR**



SCALE 1 / 1



All dimensions are in mm.

COMPONENTS	MATERIALS	PLATING(μm)
BODY	STAINLESS STEEL	PASSIVATION
MALE CENTER CONTACT	BERYLLIUM COPPER	GOLD 2.5 OVER NICKEL 1
FEMALE CENTER CONTACT	BERYLLIUM COPPER	GOLD 2.5 OVER NICKEL 2
OUTER CONTACT		
INSULATOR	PTFE	
GASKET	SILICONE RUBBER	
SUBSTRATE	ALUMINA	
RESISTOR	THIN FILM	
OTHERS PARTS		

Issue : 0834 B

In the effort to improve our products, we reserve the right to make changes judged to be necessary.



SMA ATTENUATOR**1 DB 8 GHZ 2W****R411.801.119**Series : **ATTENUATOR****ELECTRICAL CHARACTERISTICS**

Frequency (GHz)	DC - 4	4 - 8
V.S.W.R (\leq)	1.20	1.25
Deviation(\pm dB)	0.30	0.40

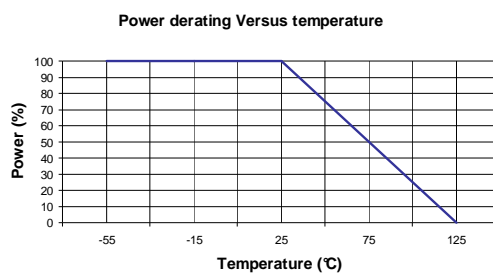
Operating Frequency Range	DC - 8	GHz
Impedance	50	Ω
Nominal Attenuation	1	dB
Peak power at 25°C (1 μ s, 1%)	100	W
Average power at 25°C	2	W (Free Air Cooled)
		W (Conduction Cooled)

MECHANICAL CHARACTERISTICS

Connectors	SMA	Male Female	
Weight	4,4910 g		

ENVIRONMENTAL CHARACTERISTICS

Operating temperature range	-55 /+125 °C
Storage temperature range	-55 /+125 °C

**SPECIFICATION****OTHER CHARACTERISTICS****Issue : 0834 B**

In the effort to improve our products, we reserve the right to make changes judged to be necessary.

RADIALL 